

Series 6, Free-standing fridge-freezer with freezer at bottom, 203 x 60 cm, Inox-easyclean KGN39AIAT



Included accessories

3 x egg tray
1 x ice cube tray

Optional accessories

KSZ39AL00 : Connection set inox

Energy Efficiency Class A fridge freezer, with VitaFresh XXL near $\lt 0^{\circ}\text{C}>$ and No Frost for efficient and perfect cooling results under any circumstances.

- **Energy Efficiency Class A:** save energy and cool quietly with the most efficient class A.
- **VitaFresh XXL Pro near 0°C :** climate-controlled compartments lock in freshness and nutrients for longer.
- **NoFrost:** you'll never have to defrost your fridge-freezer again.
- **Metal backwall with MultiAirflow:** evenly circulates cool, fresh air to maintain consistent temperatures.
- **Perfect Fit:** place your fridge right next to walls and other appliances to save space.

Technical Data

Energy Efficiency Class: A

Average annual energy consumption in kilowatt hour per year (kWh/a): 104 kWh/a

Sum of volume of frozen compartments: 103 l

Sum of volume of chill compartments: 260 l

Airborne acoustical noise emissions : 29 dB(A) re 1 pW

Airborne acoustical noise emission class: A

Construction type: Free-standing

Door panel options: Not possible

Height: 2030 mm

Width of the appliance: 600 mm

Depth of the product: 665 mm

Net weight: 110.7 kg

Fuse protection: 10 A

Door hinge: Right reversible

Voltage: 220-240 V

Frequency: 50 Hz

Length of electrical supply cord: 240.0 cm

Number of compressors: 1

Number of independent cooling systems: 2

Interior ventilator: No

Reversible Door Hinge: Yes

Number of Adjustable Shelves in fridge compartment (Stck): 3

Shelves for Bottles: Yes

Installation type: N/A



4 242005 325443

Series 6, Free-standing fridge-freezer with freezer at bottom, 203 x 60 cm, Inox-easyclean KGN39AIAT

Energy Efficiency Class A fridge freezer, with VitaFresh XXL near <0°C> and No Frost for efficient and perfect cooling results under any circumstances.

- Standard door Stainless Steel EasyClean

Performance and Consumption

- EU19_EEK_D: A
- Total Volume : 363 l
- Net Fridge Volume : 260 l
- Net Freezer Volume : 103 l
- Freezing capacity 24h : 11 kg
- Annual Energy Consumption: 104 kWh/a
- Climate Class: SN-T
- EU19_Fast freezer facility_D
- Noise Level : 29 dB , EU19_Noise emission class_D: A
- Temperature rise time : EU19_Temperature rise time_D: 21 H

Functions

- Stainless Steel EasyClean doors and Pearl grey (VZF 07127) side panels
- Vertical door handle
- Bright interior LED fridge light in fridge section

Design features

- Separate, electronic temperature control with LED display
- Two separate cooling circuits allow independent temperature control and prevents the transference of humidity between the fridge and freezer cavity
- Super Cooling: automatic deactivation
- Optical and acoustical
- Freezer malfunction warning signal: optical and acoustical warning system

Design features

- MultiAirflow system - improves circulation of air around the fridge
- 5 safety glass shelves (3 height adjustable)
- Metal bottle rack
- Door shelves in fridge door: 1 large and 3 small.

Freshness System

- 1 VitaFresh drawer - Fish and meat stay fresh for longer
- 1 VitaFresh drawer with humidity control - Fruits and vegetables retain vitamins and stay fresh for longer

Food freshness system

- Net freezer capacity: 103 litres
- 3 freezer drawers

Dimension and installation

- Dimensions: 203 cm H x 60 cm W x 66.5 cm D

Key features - Fridge section

- Right hinged door, door reversible
- Height adjustable front feet
- 220 - 240 V
- Length of power cord:240 cm

Key features - Freezer section

- 3 x egg tray, 1 x ice cube tray

Country Specific Options

- Based on the results of the standard 24-hour test. Actual consumption depends on usage/position of the appliance.

Design features

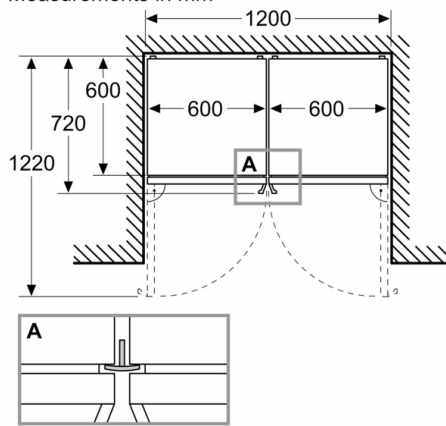
Dimension and installation

Additional features

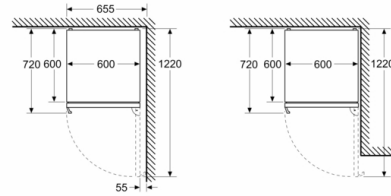
- Dividable glass shelf
- 5 safety glass shelves of which 3 are height adjustable
- SuperFreeze function with automatic deactivation
- Metal backwall

**Series 6, Free-standing fridge-freezer
with freezer at bottom, 203 x 60 cm, Inox-
easyclean
KGN39AIAT**

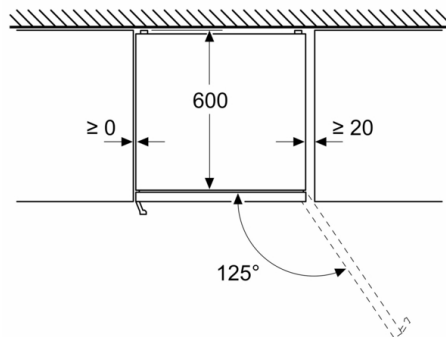
Measurements in mm



Measurements in mm



Measurements in mm



Measurements in mm

