

Series 4, Free-standing fridge-freezer with freezer at bottom, 203 x 60 cm, Black stainless steel KGN39VXBT



NoFrost bottomfreezer : no need to defrost your freezer

- **VitaFresh XXL Pro near 0°C:** climate-controlled compartments lock in freshness and nutrients for longer.
- **Super Cooling function:** cools new food placed inside faster, thus protecting already cooled food.
- **Glossy backwall with MultiAirflow:** evenly circulates cool, fresh air to maintain consistent temperatures.
- **Temperature sensors continually monitor the temperature inside and outside the fridge.**
- **NoFrost: you'll never have to defrost your fridge-freezer again.**

Technical Data

Energy Efficiency Class:	B
Average annual energy consumption in kilowatt hour per year (kWh/a):	129 kWh/annum
Sum of volume of frozen compartments:	103 l
Sum of volume of chill compartments:	260 l
Airborne acoustical noise emissions :	33 dB(A) re 1 pW
Airborne acoustical noise emission class:	B
Installation type:	Freestanding
Door panel options:	Not possible
Height:	2030 mm
Width of the appliance:	600 mm
Depth of the product:	665 mm
Net weight:	79.7 kg
Fuse protection:	10 A
Door hinge:	Right reversible
Voltage:	220-240 V
Frequency:	50 Hz
Length of electrical supply cord:	240.0 cm
Number of compressors:	1
Number of independent cooling systems:	2
Interior ventilator:	No
Reversible Door Hinge:	Yes
Number of Adjustable Shelves in fridge compartment (Stck):	3
Shelves for Bottles:	Yes
Installation type:	N/A

Optional accessories

KSZ39AX00 Connection set cast iron



Series 4, Free-standing fridge-freezer with freezer at bottom, 203 x 60 cm, Black stainless steel KGN39VXBT

NoFrost bottomfreezer : no need to defrost your freezer

- Freezing capacity in 24 hours: 10 kg
- Maximum freezer storage time in power failure: 18 hours
- 3 x egg tray, 1 x ice cube tray
- Based on the results of the standard 24-hour test. Actual consumption depends on usage/position of the appliance.

Additional features

Performance and Consumption

- EU19_EEK_D: B
- Total Volume : 363 l
- Net Fridge Volume : 260 l
- Net Freezer Volume : 103 l
- Freezing capacity 24h : 10 kg
- Annual Energy Consumption: 129 kWh/a
- Climate Class: SN-T
- EU19_Fast freezer facility_D
- Noise Level : 33 dB , EU19_Noise emission class_D: B
- Temperature rise time : EU19_Temperature rise time_D: 18 H
- Twin No Frost (RC + FC), Fridge freezer
- Standard door black inox-antifingerprint

Design features

- Separate, electronic temperature control with LED display
- Vertical door handle

Freshness System

- Two separate cooling circuits allow independent temperature control and prevents the transference of humidity between the fridge and freezer cavity
- MultiAirflow system - improves circulation of air around the fridge
- Super Cooling: automatic deactivation
- SuperFreeze function with automatic deactivation
- Optical and accoustical
- Freezer malfunction warning signal: optical and acoustical warning system
- 5 safety glass shelves (3 height adjustable)

Key features - Fridge section

- Bright interior LED fridge light in fridge section
- 5 safety glass shelves of which 3 are height adjustable
- Metal bottle rack
- Door shelves in fridge door: 1 large and 3 small.
- White glossy back wall

Food freshness system

- 1 VitaFresh drawer - Fish and meat stay fresh for longer
- 1 VitaFresh drawer with humidity control - Fruits and vegetables retain vitamins and stay fresh for longer

Dimension and installation

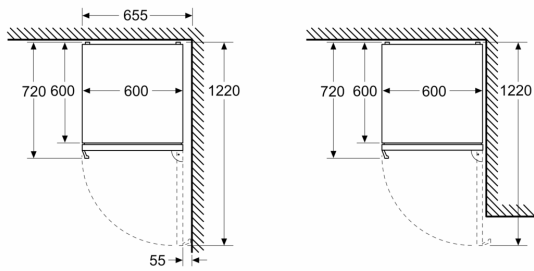
- Dimensions: 203 cm H x 60 cm W x 66.5 cm D
- Right hinged door, door reversible
- Height adjustable front feet
- 220 - 240 V

Key features - Freezer section

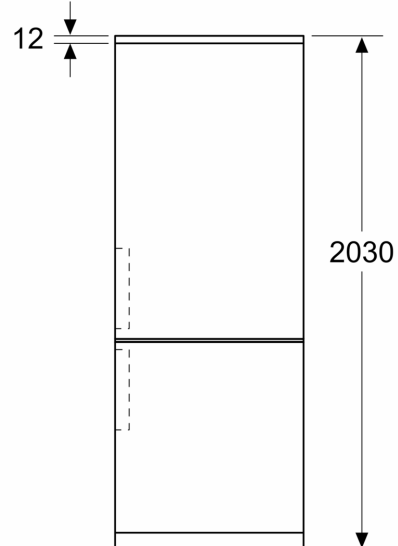
- 3 freezer drawers
- Net freezer capacity: 103 litres

**Series 4, Free-standing fridge-freezer
with freezer at bottom, 203 x 60 cm,
Black stainless steel
KGN39VXBT**

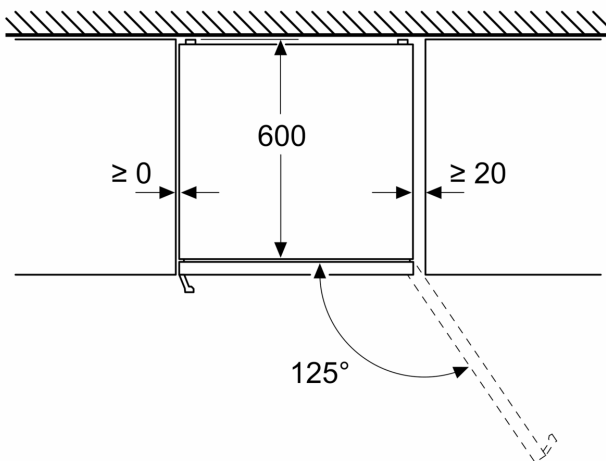
Measurements in mm



Measurements in mm



Measurements in mm



Measurements in mm

